



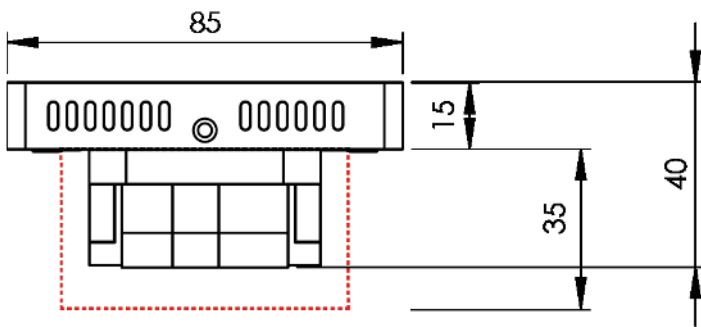
Temperature Range		N/A
Blue Back Lit Screen		Y
Non-Programmable Mode		N
5/2 Day Programming Mode		N
7 Day Programming Mode		Y
24 Hour Programming Mode		Y
Number of Heating Levels		N/A
Optimum Start		N
Number of Switching Times (Timer mode)		4
Holiday Function		Y
Keylock Function		Y
Temperature Hold Function		N
Temperature Override		N
Temperature Override Limit		N
Output Delay		N

Frost Protection (7°C - 17°C)		N
Mesh Networking Facility		Y
°C / °F Option		N
Built In Air Sensor		N
Remote Air Sensing Mode		N
Floor Sensing Mode		N
Remote Probe Included		N
Floor Temp Limit Protection		N
Cooling		N
Max Switching Current		3A
Accuracy +/-		N/A
Adjustable Switching Differential		N/A
Supply		230V AC
Installed Dimensions		85x85x15mm (L,H,D)
Weight		128g

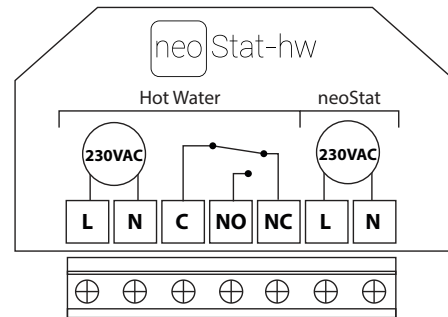
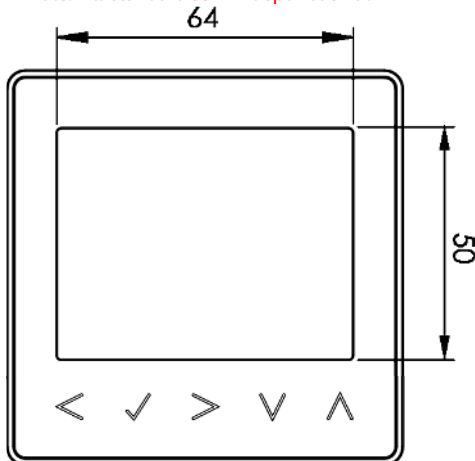
Feature Table - Timer Mode

01	Pairing	Used to pair to the neoHub
02	Program Mode	01 = Weekday/Weekend (Default), 02 = 7 Day Programming, 03 = 24 Hour Mode

Product Dimensions (mm) & Wiring Specification



Note: Fits standard 35mm depth back box



Wiring Detail

