

Single Room UFH Control Pack continued

Product Range
UFHC 980 020

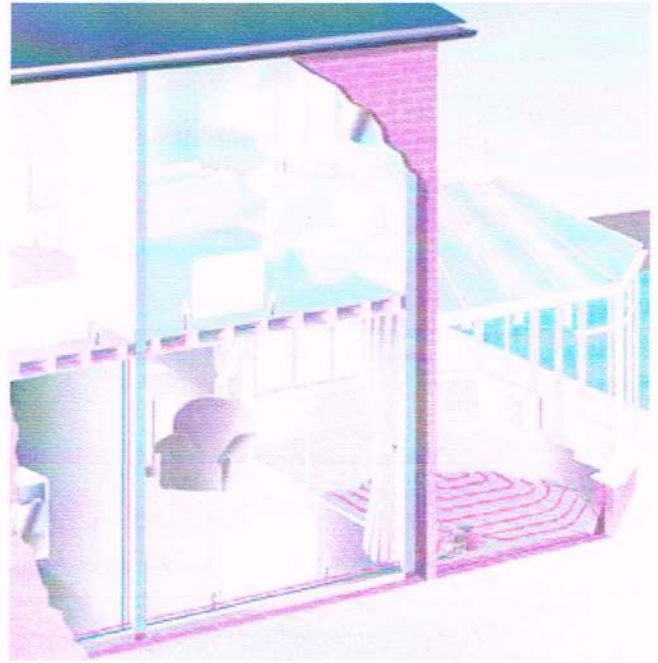
Single Room UFH Control Pack

Materials

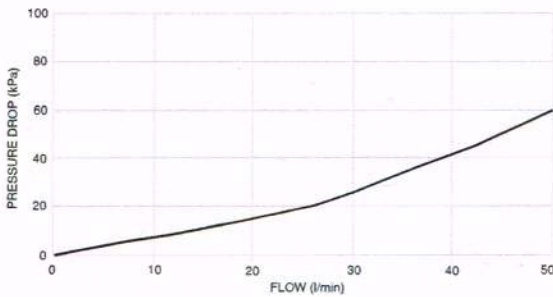
Valve body:	Gunmetal
Seals:	PTFE
O-Rings:	Silicone rubber
Spring:	Stainless steel

Specifications

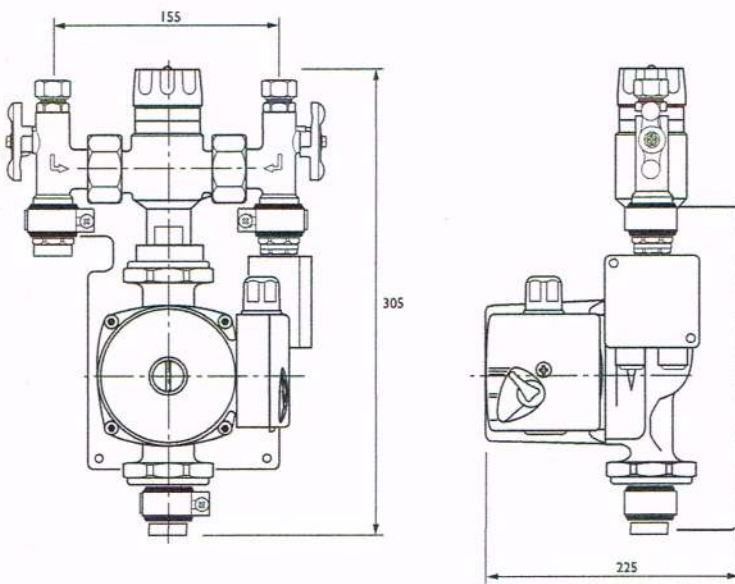
Maximum static pressure	10 bar
Maximum temperature	90°C
Adjustable control range	35°C - 65°C
Factory pre-set	35°C (minimum)
Connection sizes	15mm compression (inlet) 1/2" FBSP (outlets and return)
Floor area	40m ²



Flow Performance

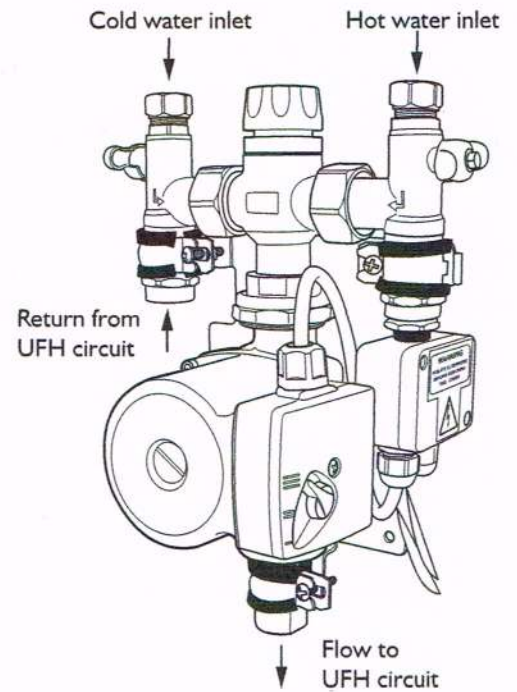


Dimensions

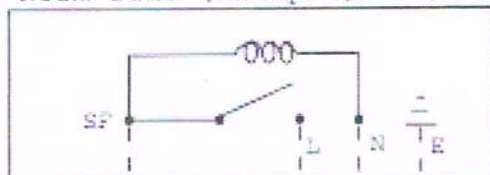


All dimensions in mm unless stated otherwise

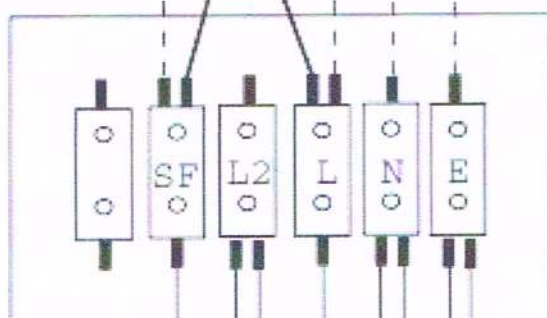
Connection layout



Room stat (example) - not supplied



Remove link
if room stat
is fitted



E
N Pump
L

Boiler Feed Stat Mains
42° C close (Fused spur)
31° C open 3 Amp