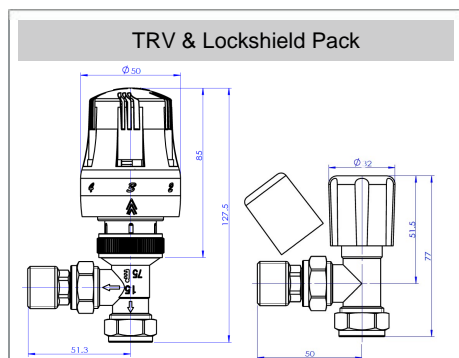


Angle pattern thermostatic radiator valve vertical or horizontal mounting with matching lockshield



General Information

Size	Pattern No.	Pack 1 Qty	Pack 2 Qty	Code
15mm x 1/2"	Angle Pattern TRV & Lockshield Pack	1	10	ZL-2351&ZL-2352



Dimensions

Code	Description
ZL-2351&ZL-2352	15mm x 1/2" Angle Pattern TRV & LS PACK

The manufacturer reserve the right to change specifications

Regulations

The thermostatic radiator valves are approved to EN 215. For valves with compression connections, the connections are approved to BS EN1254-2; threaded connections comply with ISO228.

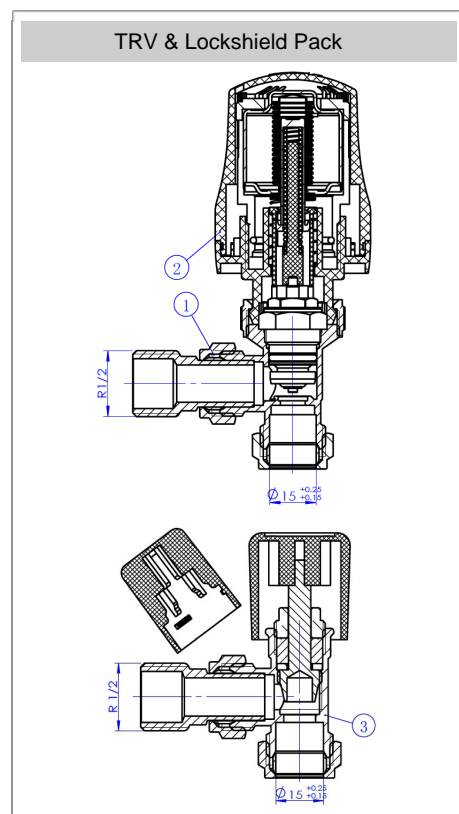
They are designed for use only in an indirect open-vented or sealed water-filled central heating and/or indirect hot water system and for no other purpose.

They must be used within the pressure and temperature limits stated in the technical information table below.

Operating Conditions	Maximum
System Water Temperature (at 5bar)	120°C
Operating pressure (at 65°C)	10 bar

Under no circumstances must they be used in systems containing liquids or solutions other than water. The only exception is the addition of a proprietary central heating corrosion inhibitor, cleaner or anti-freeze to the system water in accordance with the manufacturer's instructions.

The heating controls are manufactured to a strict quality assurance system in accordance with ISO 9001: 2015.



Materials

Component	Material
Body	TRV-Forged Brass Chrome Plated
Head	TRV- Brass Bar
Gland	TRV- Brass Bar
Flow Spindle	TRV- Stainless Steel
Capnut	TRV - Forged Brass Chrome Plated
Cone	TRV- Brass Bar
Adaptor	TRV- Brass Bar Chrome Plated
Thermal Head Cover/ Body	TRV- ABS
Thermal Head Element/Housing	TRV- Lumiloy
Body	LS- Forged Brass Chrome Plated
Head	LS - Brass Bar
Spindle / Valve	LS- Brass Bar
Glandnut/ Gland	LS- Brass Bar
Adaptor	LS - Forged Brass Chrome Plated
Capnut	LS- Forged Brass Chrome Plated
Cone	LS - Brass
Set Screw	LS- Brass
Lockshield	LS- ABS